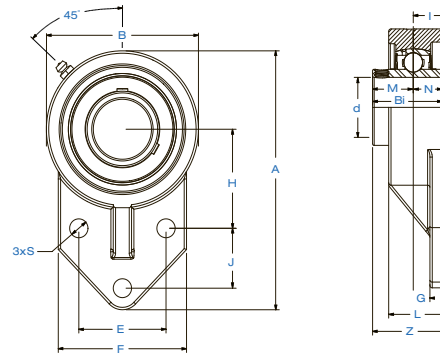




SUCSFBM 200

Normal-Duty 3-Bolt Flange Bracket
Setscrew Lock



Seal
Styles



Standard Seal
with Flinger



Triple-Lip
L3 Seal

Bearing Number	Shaft Dia. d in. mm.	Dimensions in. mm.													Bolt Used in. mm.	Load Rating lbs. kN.		Bearing Insert	Housing Number	Wt. lbs. kg.			
		A	H	E	J	I	G	L	S	B	F	Z	Bi	N		M	Dynamic Cr				Static Cor		
SUCSFBM 201	12																				SUC 201		
SUCSFBM 201-8	1/2																				SUC 201-8		
SUCSFBM 202	15																				SUC 202	SFBM 204	1.5 0.6
SUCSFBM 202-10	5/8	4.25	1.70	1.50	0.87	0.63	0.31	1.00	0.39	2.50	2.38	1.35	1.2205	0.5000	0.7205	5/16	2,331	1,142	SUC 202-10				
SUCSFBM 203	17	108.0	43.3	38.1	22.0	15.9	8.0	25.4	10.0	63.5	60.0	34.2	31.0	12.7	18.3	M8	10.37	5.08	SUC 203				
SUCSFBM 204-12	3/4																				SUC 204-12		
SUCSFBM 204	20																				SUC 204		
SUCSFBM 205-14	7/8																				SUC 205-14	SFBM 205	1.8 0.7
SUCSFBM 205-15	15/16	4.75	1.81	1.63	1.13	0.66	0.39	1.13	0.39	2.75	2.50	1.44	1.3425	0.5630	0.7795	5/16	2,542	1,349	SUC 205-15				
SUCSFBM 205	25	121.0	46.0	41.3	28.5	16.7	10.0	28.5	10.0	70.0	63.0	36.5	34.1	14.3	19.8	M8	11.31	6.00	SUC 205				
SUCSFBM 205-16	1																				SUC 205-16		
SUCSFBM 206-17	1 1/16																				SUC 206-17	SFBM 206	2.1 0.9
SUCSFBM 206-18	1 1/8																				SUC 206-18		
SUCSFBM 206	30	5.38	2.06	1.88	1.25	0.73	0.39	1.25	0.39	3.25	2.75	1.61	1.5000	0.6260	0.8740	5/16	3,554	1,942	SUC 206				
SUCSFBM 206-19	1 3/16	136.0	52.4	47.6	31.7	18.6	10.0	32.0	10.0	82.0	69.5	40.8	38.1	15.9	22.2	M8	15.81	8.64	SUC 206-19				
SUCSFBM 206-20	1 1/4																				SUC 206-20		
SUCSFBM 207-20	1 1/4																				SUC 207-20	SFBM 207	3.3 1.5
SUCSFBM 207-21	1 5/16																				SUC 207-21		
SUCSFBM 207-22	1 3/8	6.13	2.38	2.00	1.25	0.83	0.53	1.44	0.51	3.75	3.25	1.83	1.6890	0.6890	1.0000	7/16	4,683	2,626	SUC 207-22				
SUCSFBM 207	35	156.0	60.3	50.8	31.7	21.0	13.5	36.5	13.0	95.0	82.5	46.4	42.9	17.5	25.4	M10	20.83	11.68	SUC 207				
SUCSFBM 207-23	1 7/16																				SUC 207-23		
SUCSFBM 208-24	1 1/2																				SUC 208-24	SFBM 208	4.4 2.0
SUCSFBM 208-25	1 9/16	6.44	2.38	1.97	1.63	0.83	0.69	1.41	0.47	3.94	3.06	2.02	1.9370	0.7480	1.1890	3/8	5,294	3,057	SUC 208-25				
SUCSFBM 208	40	164.0	60.3	50.0	41.3	21.0	17.0	35.7	12.0	100.0	78.0	51.2	49.2	19.0	30.2	M10	23.55	13.60	SUC 208				
SUCSFBM 209-26	1 5/8																				SUC 209-26	SFBM 209	5.8 2.6
SUCSFBM 209-27	1 11/16	6.88	2.56	2.13	1.69	0.86	0.75	1.38	0.47	4.19	3.16	2.05	1.9370	0.7480	1.1890	3/8	5,923	3,507	SUC 209-27				
SUCSFBM 209-28	1 3/4	174.0	65.0	54.0	42.9	21.8	18.5	34.5	12.0	106.0	80.0	52.0	49.2	19.0	30.2	M10	26.35	15.60	SUC 209-28				
SUCSFBM 209	45																				SUC 209		
SUCSFBM 210-30	1 7/8																				SUC 210-30	SFBM 210	6.1 2.8
SUCSFBM 210-31	1 15/16	7.50	2.94	2.75	1.63	0.86	0.56	1.50	0.52	4.66	4.00	2.14	2.0315	0.7480	1.2835	7/16	6,402	4,046	SUC 210-31				
SUCSFBM 210	50	191.0	74.6	70.0	41.3	21.8	14.0	38.0	13.0	118.0	102.0	54.4	51.6	19.0	32.6	M10	28.48	18.00	SUC 210				
SUCSFBM 210-32	2																				SUC 210-32		

MARINER®